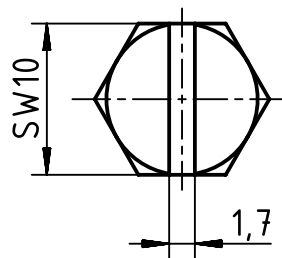
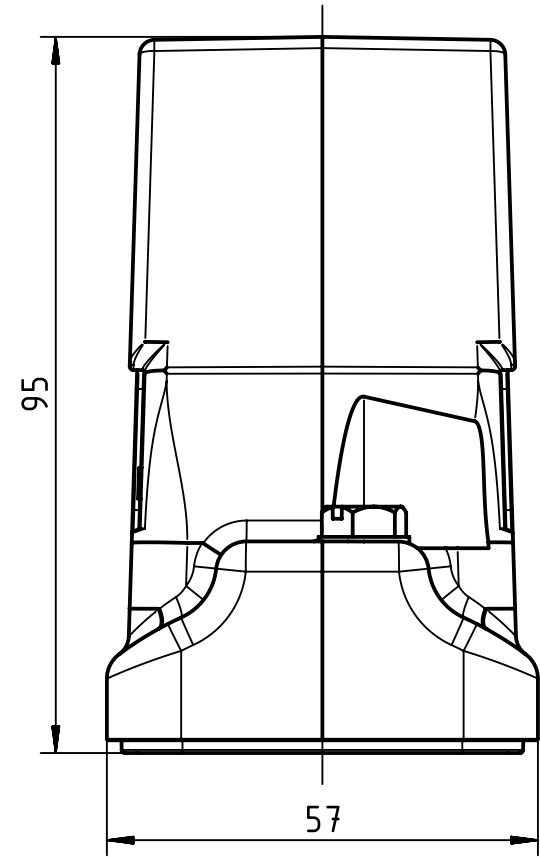
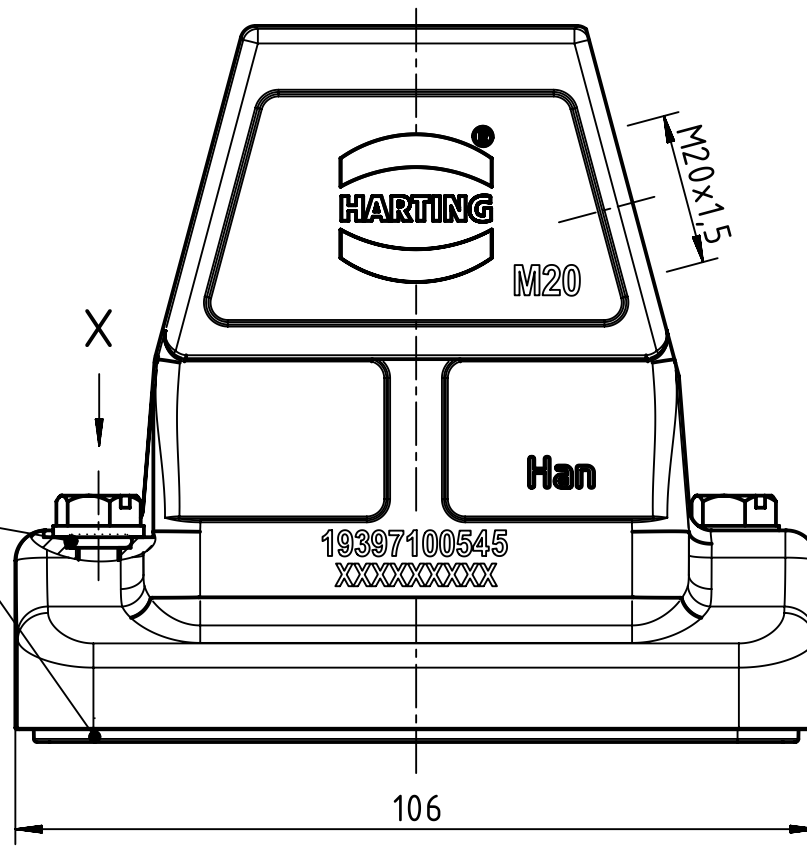


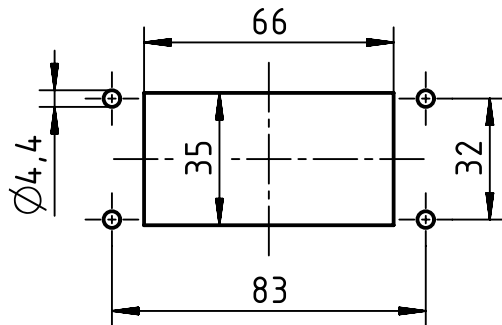
X (2:1)



Seal



Panel cut out (1:2)



	All rights reserved Department EL PD - CN HARTING (Zhuhai) Manufacturing Co., Ltd. 519085 Zhuhai, China		All Dimensions in mm Original Size DIN A4		Scale 1:1	Free size tol.	Ref. Sub.
		Created by LONGL	Inspected by WENE	Standardisation RUETERA	Date 2017-10-26	State Final Release	Doc-Key / ECM-Nr. 100664306/UGD/002/E 500000127109
Title Han 10HP Direct/M-HSE-M20		Type TB	Number 19 39 710 0545	Rev. E	Page 1/1		